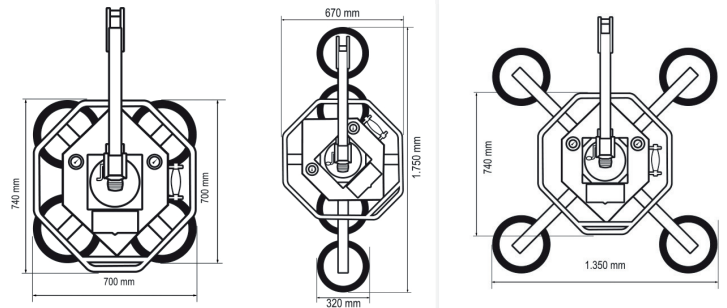
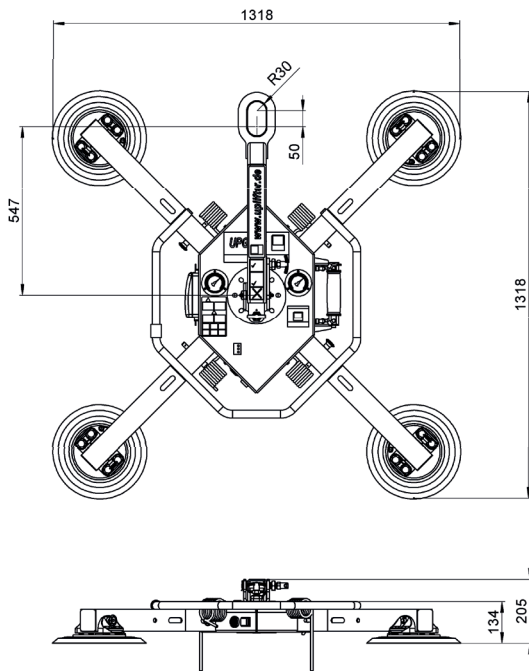
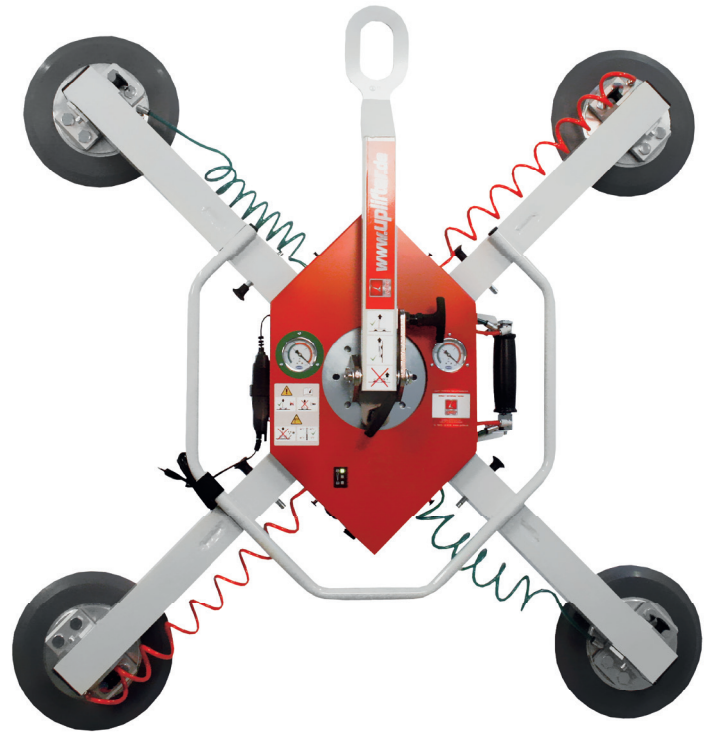


# Vacuum cup UPG350

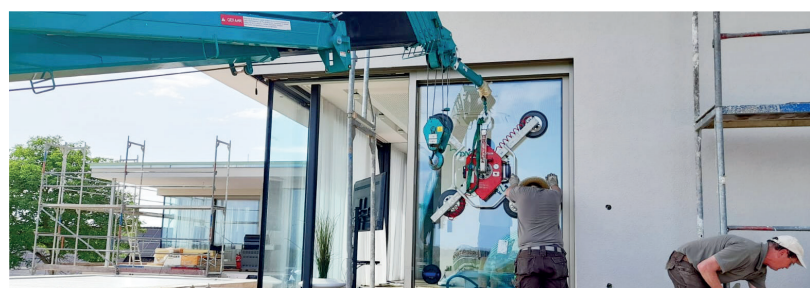
Vacuum technology | Uplifter



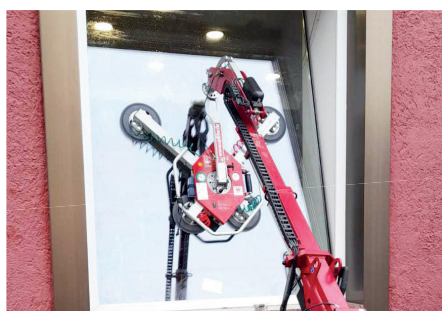
Load capacity	350 kg
Suction disc quantity	4 Pieces
Suction plate Diameter	Ø 350 mm
Curved discs	✗
Lowering cylinder	✗
Radio remote control	✗
Dead weight max.	43,0 kg
Length max./min.	1,75/0,70 m
Wide max./min.	1,38/0,70 m
Inclination angle	90°
Rotatability	360° in 45° grid
Operating time	approx. 8.0 hours



The UPG350 can suction elements such as solar panels, veneered wood, metal and plastic panels and much more



Due to different arrangement of the suction plates, the vacuum cup can be optimally adapted to different pane sizes



## TIP

Sponge rubber suction pads and mount extension are optionally available for Uplifter vacuum cups. Ask for them now!